



OPERATORS MANUAL / OPERATEURSHANDLEIDING

Rotorspreader / Misstrooier



CONTENTS

FOREWORD	1
COMPANY PROFILE	2
WARRANTY AND DISCLAIMER	3
PRODUCT RANGE	5
INSTALLATION	6
OPERATION	9
MAINTENANCE	12
PARTS LISTS	15

INHOUD

VOORWOORD
MAATSKAPPYPROFIEL
WAARBORG EN VRYWARING
PRODUKREEKS
INSTALLERING
WERKING
INSTANDHOUDING
PARTELYSTE

Authorised Dealer / Gemagtigde handelaar:

Date of Sale / Verkoopsdatum:

Implement:

Model No. / Model Nr.:

Serial No. / Reeks Nr.:

Part number	M8408	Onderdeelnummer
Version	1	Weergawe
Date of publication	2018/12/21	Datum van publisering

FOREWORD

VOORWOORD

We at Falcon commend and congratulate you on the purchase of your Falcon implement, which we consider to be the best of its type available.

However, we would like to remind you that your success and satisfaction with the product will be greatly improved by you familiarising yourself with the contents of this manual. It contains important information relevant to the responsible operation, maintenance and most importantly, safe use of the product.

Note that failure to observe or comply with the provisions of this manual may result in unsafe operating conditions as well as damage to products and property which shall not be covered under warranty.

Should this manual become misplaced, damaged or destroyed, further copies are available from your Falcon dealer. Alternatively, this document is available for download from our website: www.falconequipment.co.za

Symbols used in this document




Ons by Falcon wens jou geluk met die aankoop van jou Falcon-implement, wat ons as die beste beskikbare werktuig in sy soort beskou.

Ons herinner u egter graag daaraan dat u sukses en tevredenheid met die produk grootliks verbeter sal word as u met die inhoud van hierdie handleiding vertrou raak. Dit bevat belangrike inligting met betrekking tot die verantwoordelike gebruik, instandhouding en, die heel belangrikste, veilige gebruik van die produk.

Let asseblief op dat versuim om die bepalings van hierdie handleiding na te kom tot onveilige bedryfstoelestande asook skade aan produkte en eiendom kan lei wat nie onder die waarborg gedek sal wees nie.

Indien hierdie handleiding dalk verloor, beskadig of vernietig sou word, is daar verdere kopieë by u Falcon-handelaar beskikbaar. Hierdie dokument kan ook van ons webwerf, www.falconequipment.co.za, afgelaai word.

Simbole wat in hierdie dokument gebruik word

	Safety-critical notices	Failure to comply with these notices may result in serious damage to equipment, personal injury or death.
	Veiligheidskritieke kennisgewings	Versuim om aan hierdie kennisgewings gehoor te gee kan ernstige skade aan toerusting, persoonlike beserings of dood tot gevolg hê.
	Procedures and checks	To be carried out by suitably competent persons in the course of installation, operation and maintenance of the equipment.
	Prosedures en kontroles	Moet deur toepaslik bekwame persone uitgevoer word by die installering, bedryf en instandhouding van die toerusting.
	General information	Information provided for references purposes, including any external references intended to be read in conjunction with this manual.
	Algemene inligting	Inligting vir verwysingsdoeleindes, insluitend enige eksterne verwysings wat bedoel is om saam met hierdie handleiding gelees te word.

COMPANY PROFILE

MAATSKAPPYPROFIEL

Falcon Agricultural Equipment (Pty) Ltd is the largest manufacturer of rotary cutters in Africa. The company opened its doors in 1985, at its current premises in Howick, Kwazulu-Natal, South Africa. This is the ideal location as it is an agricultural area with a leading agricultural college nearby.

Our primary market is the agricultural sector, with niche efforts into the industrial and turf implement markets. We distribute our products through a network of over 250 authorised dealers and approximately 110 dedicated mechanisation dealers countrywide. We also distribute our products across our borders into other African countries such as Botswana, Kenya, Malawi, Mozambique, Namibia, Uganda, Swaziland, Tanzania, Zambia, and Zimbabwe.

We manufacture the Falcon range of implements, and our ongoing program of innovation and improvement ensures that we consistently launch implements to satisfy our customers' ever-changing needs.

The Falcon range includes slashers, Haymakers®, material handling implements, mulchers, mowers, spreaders, rotavators, and flail implements. Each is designed to be simple, safe, and serviceable while offering excellent value for money. They are built to last and are capable of coping with the tough South African conditions.

In many parts of South Africa "Falcon" is the generic term for grass-cutting implements, making us the undisputed leader in our field. Delivery on a marketing promise is the foundation of any successful marketing drive and farmers buying the Falcon brand buy more than just a product - they buy the heritage and expertise of a company that has been around for a long time!

We also import a range of implements that complement the locally manufactured ones. These include the Amazone spreaders, sprayers, mowers, and soil tillage implements (from Germany).

Falcon Agricultural Equipment (Pty) Ltd is committed to supporting our local communities in many different ways. Our main focus is the well-being of children and we provide a safe and suitable school environment for them, as well as school-related necessities.

Our team prides itself on its professional approach to business. We have built long-standing relationships with our dealers and their customers based on honesty, trust, respect, and integrity. Excellent customer service is an important part of the Falcon promise.

Falcon Agricultural Equipment (Edms.) Bpk. is die grootste vervaardiger van wentelsnyers in Afrika. Die maatskappy het sy deure in 1985 by sy huidige perseel in Howick, KwaZulu-Natal, Suid-Afrika, geopen. Die ligging is ideaal: in 'n boerderygebied met 'n vooraanstaande landboukollege naby.

Ons hoofmark is die landbousektor, met nisverkope in die nywerheids- en grasbaanimplement-markte. Ons versprei ons produkte deur 'n netwerk van meer as 250 gemagtigde handelaars met ongeveer 110 toegewyde meganisasiehandelaars landswyd. Ons versprei ook ons produkte oor ons grense na ander Afrikalande soos Botswana, Kenia, Malawi, Mosambiek, Namibië, Uganda, Swaziland, Tanzanië, Zambië, en Zimbabwe.

Ons vervaardig die Falcon-implementreeks en ons voortgesette program van vernuwing en verbetering verseker dat ons konstant implemente bekendstel wat ons kliënte se immer veranderende behoeftes bevredig.

Die Falcon-reeks sluit wentelsnyers, Hooimakers®, materiaalhanteringsimplemente, mulchers, grassnyers, strooiers, kapploë en vleëlimplemente in. Almal is ontwerp om eenvoudig, veilig en diensbaar te wees terwyl hulle uitstekende waarde vir geld bied. Hulle is gebou om te hou en ons strawwe Suid-Afrikaanse toestande die hoof te bied.

In baie dele van Suid-Afrika is "Falcon" die generiese term vir grassny-implemente, wat ons die onbetwiste leier op ons gebied maak. Die nakom van 'n bemarkingsbelofte is die grondslag van enige geslaagde bemarkingsveldtog, en boere wat die Falcon-handelsmerk koop, koop meer as net 'n produk – hulle koop die erfenis en deskundigheid van 'n maatskappy wat al lank in die land is!

Ons voer ook 'n reeks implemente in wat die plaaslik-vervaardigdes komplementeer. Dit sluit in die Amazone-strooiers, -spuite, -grassnyers en -grondbewerkings-implemente (uit Duitsland).

Falcon Agricultural Equipment (Edms.) Bpk. is verbonde tot die ondersteuning van ons plaaslike gemeenskappe op baie verskillende maniere. Ons hooffokus is die welsyn van kinders, en ons verskaf vir hulle 'n veilige en geskikte skoolomgewing, sowel as skoolverwante benodigdhede.

Ons span is trots op sy professionele benadering tot besigheid. Ons het langdurige verhoudings met ons handelaars en hul klante opgebou wat op eerlikheid, vertroue, respek en integriteit gebaseer is. Voortreflike klantediens is 'n belangrike deel van die Falcon-belofte.

WARRANTY AND DISCLAIMER

Falcon products are manufactured in accordance with established quality standards and are accompanied by a limited warranty against defective materials and workmanship. In terms of this warranty, Falcon or an authorised Dealer may conduct reasonable repairs or replacement of products or parts of products, as required.

General conditions of limited warranty

Any claim with respect to warranty shall satisfy the following minimum conditions.

- The implement has not been subjected to misuse, abuse, damage or acts of negligence.
- The Owner is in possession of, and can demonstrate an understanding and application of the provisions of this manual.
- The implement has been used exclusively for its intended purpose and in a configuration in which it was designed to operate.
- Installation, setup, operation and maintenance of the implement have been carried out in accordance with this manual.
- Maintenance of the implement has been carried out as prescribed in this manual, using original and approved parts.
- The implement has not been subjected to structural, mechanical or any other unauthorised modification or repair.
- A warranty claim has been reported to an authorised Dealer within the prescribed warranty period for the product concerned.

Exclusions

The following items are excluded from warranty cover, including any costs relating to these.

- Parts reckoned as consumable or wearing parts.
- Products or parts of products exhibiting acceptable wear and tear.
- Temporary replacement, loan or hire of substitute parts or equipment.
- Transport and handling of affected products.
- Consequential damage or loss on the part of any person, organization or otherwise affected party.

Validity

This warranty supersedes all previous conditions of warranty, whether expressed or implied, including any previous obligation or liability on the part of Falcon in respect of non-conforming or defective product.

Disclaimer

Falcon maintains a programme of continuous product improvement and consequently reserves the right to change designs, specifications, descriptions and materials

WAARBORG EN VRYWARING

Falcon-produkte word vervaardig ooreenkomstig met gevestigde gehalte-standaarde en word deur 'n beperkte waarborg teen defektiewe materiale en vakmanskap gedek. Kragtens hierdie waarborg mag Falcon of 'n gemagtigde Handelaar redelike herstelwerk of vervanging van produkte of produkonderdele uitvoer, soos vereis.

Algemene voorwaardes van beperkte waarborg

Enige eis ten opsigte van die waarborg moet aan die volgende minimumvoorwaardes voldoen:

- Die implement is nie aan verkeerde gebruik, misbruik, beskadiging of verwaarlosing onderwerp nie.
- Die Eienaar is in besit van hierdie handleiding en kan 'n begrip en toepassing van die bepalings daarvan demonstree.
- Die implement is uitsluitlik vir die bedoelde doel gebruik en in 'n konfigurasie waarin dit ontwerp is om bedryf te word.
- Installering, opstelling, bedryf en instandhouding van die implement het in ooreenstemming met hierdie handleiding plaasgevind.
- Instandhouding van die implement is uitgevoer soos in hierdie handleiding voorgeskryf, met gebruik van oorspronklike en goedgekeurde onderdele.
- Die implement is nie aan enige strukturele, meganiese of enige ander ongemagtigde wysiging of herstelwerk onderwerp nie.
- Kennis van 'n waarborg-eis is binne die voorgeskrewe waarborgtydperk vir die betrokke produk aan 'n gemagtigde Handelaar gegee.

Uitsluitings

Die volgende items word van waarborgdekking uitgesluit, insluitend enige onkoste daaraan verbonde.

- Onderdele as verbruikbare of slytonderdele geag.
- Produkte of produkonderdele wat aanvaarbare slytasie vertoon.
- Tydelike vervanging, leen of huur van vervangingsonderdele of -toerusting.
- Vervoer en hantering van geaffekteerde produkte.
- Gevolglike skade of verlies aan of deur enige persoon, organisasie of andersins geaffekteerde party.

Geldigheid

Hierdie waarborg vervang alle vorige waarborgvoorwaardes, hetsy eksplisiet of geïmpliseer, insluitend enige vorige verpligting of aanspreeklikheid van Falcon ten opsigte van nie-ooreenstemmende of defekte produkte.

Vrywaring

Falcon handhaaf 'n program van voortdurende produkverbetering en gevolg behou ons die reg om ontwerpe, spesifikasies, beskrywings, materiale en enige ander

of construction and any other product attribute without prior notice. This includes no obligation to reflect such changes in documentation or literature or to provide any such changes to products previously sold or held in stock.

produkteienskap sonder voorafkennisgewing te wysig, insluitend geen verpligting om sulke veranderinge in dokumentasie of literatuur te weerspieël of aan te bring aan produkte wat voorheen verkoop of aangehou is nie.

Warranty Periods

Brands	Product groups	Components	Origin	Versions	Period	
Falcon	Slashers Haymakers® Rollermowers Blowermowers™	Gearboxes	Imported	All	2y	
			Falcon	F50	3y	
				F80	3y	
			PTO shafts	Imported	All	1y
		OEM parts	Falcon	All	2y	
	Dual-spindle Slashers Dual-spindle Haymakers® Flexwing Grassmulchers™ Fieldmulchers™ SD Mulchers Rotagang®	Gearboxes	Imported	All	1y	
				Falcon	F50	2y
			F60		1y	
			F80		2y	
			PTO shafts	Imported	All	1y
			OEM parts	Falcon	All	1y
	Flail implements	Gearboxes	Imported	All	1y	
		PTO shafts	Imported	All	1y	
		OEM parts	Falcon	All	1y	
	Rotavators	Gearboxes	Falcon	All	1y	
		OEM parts	Falcon	All	1y	
	Rotorspreaders	OEM parts	Falcon	All	1y	
PTO shafts		Imported	All	1y		
Limespreaders	OEM parts	Falcon	All	1y		
Bale forks + beams	OEM parts	Falcon	All	1y		
Unloaders®	OEM parts	Falcon	All	1y		
Bale Grab	OEM parts	Falcon	All	1y		
Amazone	Spreaders Sprayers Soil Tillage Turf equipment	All	Amazone	All	1y	

PRODUCT RANGE

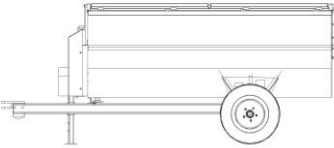
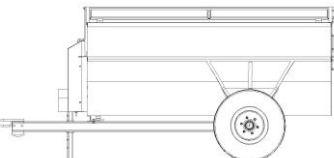
The Falcon range of Rotorspreaders consists of two models, intended for spreading manure and other types of solid or semi-solid materials. These implements are designed to be trailed behind a tractor with the rotary-flail spreading system being PTO driven.

- Available in two sizes with working capacities of 3 000 kg and 4 200 kg respectively.
- Simple and robust secondary chain drive.
- Retractable lid for ease of loading and controlling product trajectory.

PRODUKREKES

Die Falcon-reeks Rotorsprekers bestaan uit twee modelle, ontwerp vir die strooi van mis en ander soorte soliede of semisoliede stowwe. Hierdie implemente word agter 'n trekker gesleep en die wentelvleël-strooistelsel word deur 'n kragaftakker aangedryf.

- Beskikbaar in twee groottes met werkskapasiteite van 3 000 kg en 4 200 kg onderskeidelik.
- Eenvoudige en robuuste sekondêre ketting-aandrywing.
- Intrekbare deksel vir maklike laai en beheer van produktrajek.

Profile	Model (Part no.)	Capacity (kg)	Flails (number)	Discharge to	W x L x H (mm)			Mass (kg)	Power, max. (kW)
	F3000 (A0061)	3 000	28	Right/Regs	1 775	4 250	1 750	890	35–50
	F4200 (A0062)	4 200	28	Right/Regs	2 040	4 250	1 925	1 120	45–80
Profiel	Model (Onderdeelnr.)	Kapasiteit (kg)	Vleëls (aantal)	Afvoer na	B x L x H (mm)			Massa (kg)	Krag, maks. (kW)

INSTALLATION

Attaching the implement to the tractor

- ⚠ Do not enter the area between the tractor and the implement unless the tractor engine is shut off, handbrake applied and the key is removed from the ignition.
- ⚠ Use only hitch pins and linchpins of the correct specification, such as those provided with the implement.

The implement is equipped with a clevis-type towing hitch, intended for attachment only to a single-tab towing arm or a linkage drawbar.

- ⊖ Only a single-tab towing hitch (Fig. 1-A) should be used on the tractor to engage with the implement towing hitch. Failure to observe these requirements will result in damage to the implement hitch and other failures not covered under warranty.

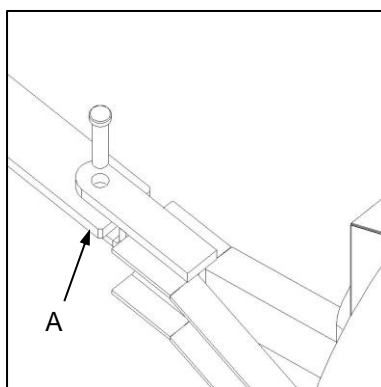


Fig. 1

A parking stand is provided for assistance in the hitching or unhitching of the implement to and from the tractor.

- ✔ When hitching the implement to the tractor, extend the parking stand (Fig. 2-A) until the implement hitch clevis (Fig. 2-B) height coincides with the tractor towing hitch height. Engage the lowest available gear on the tractor and reverse the tractor towing hitch into the implement towing hitch clevis.
- ✔ Lower the parking stand to allow the implement top hitch clevis plate to rest on the tractor towing hitch and insert the hitch pin and relevant locking facility.
- ✔ When unhitching the implement from the tractor, extend the parking stand until the load is removed from the tractor towing hitch. Remove the hitch pin and drive the tractor forwards in the lowest gear to complete the unhitching process.

INSTALLERING

Koppel van die implement aan die trekker

- ⚠ Moenie tussen die trekker en die implement inbeweeg tensy die trekkerenjyn afgeskakel, die handrem opgetrek en die sleutel uit die aansitter verwyder is nie.
- ⚠ Gebruik slegs haak- en lunspeen met die korrekte spesifikasies soos dié wat saam met die implement verskaf is.

Die implement is toegerus met 'n vurktipe-sleephaak wat slegs vir koppeling aan 'n enkelliptrekstang of 'n koppel-trekstang bedoel is.

- ⊖ Slegs 'n enkelliptrekstang (Fig. 1-A) moet aan die trekker gebruik word om die implement mee aan te haak. Versuim om hierdie vereistes na te kom sal lei tot skade aan die implementhaak en ander onklaarraking wat nie deur die waarborg gedek word nie.

'n Parkeerstut word voorsien om aanhaak en afhaak van die implement aan en van die trekker te vergemaklik.

- ✔ Om die implement aan die trekker te haak, verleng die parkeerstut (Fig. 2-A) totdat die implementhaakvurk (Fig. 2-B) en die trekkersleephaak ewe hoog is. Kies die trekker se laagste beskikbare rat en stoot die trekker agteruit om die sleephaak in die implementsleephaakvurk in te stoot.
- ✔ Laat die parkeerstut sak totdat die implement se boonste haakvurkplaat op die trekkersleephaak rus; installeer die haakpen en sluitmeganisme om dit in daardie posisie te hou.
- ✔ Om die implement af te haak, verleng die parkeerstut totdat die las van die trekkersleephaak verwyder is. Verwyder die haakpen en ry die trekker in die laagste moontlike rat vorentoe om die ontkoppeling te voltooi.

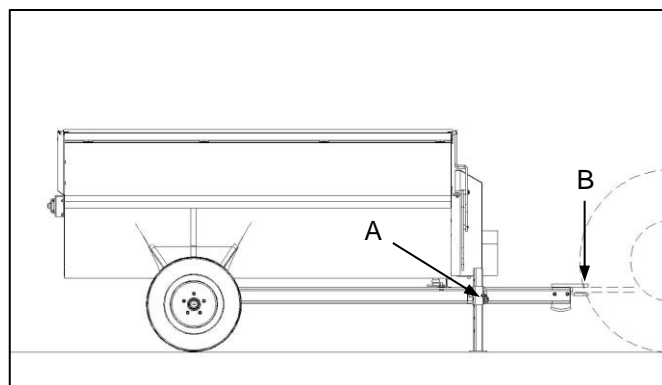


Fig. 2

Installing the PTO driveshaft

- ⚠ Ensure proper engagement between the PTO driveshaft couplings and the input and output shafts on the implement and tractor.
- ⚠ Ensure sufficient overlap of the PTO driveshaft tubes at the working position.
- ⚠ Do not exceed the specified PTO driveshaft speed.
- ⚠ Do not operate the implement without PTO driveshaft guards in place and in good condition. Anti-rotation chains must be attached.
- ⚠ Replace damaged or missing PTO guard parts only with original spare parts.
- ⚠ Do not approach the rotating PTO driveshaft, and avoid loose-fitting clothing to prevent entanglement.

Due to the many variations in tractor and implement hitch configurations, it is likely that the supplied PTO driveshaft will have to be cut to suit the operating distance between the tractor and the implement.

- ✔ Before cutting the PTO driveshaft to the appropriate operating length, refer to the manufacturer's instructions supplied with the PTO shaft.
- ✔ Ensure that universal joint operating angles are not exceeded and that over-compression or over-extension of the PTO driveshaft is prevented during cornering.
- ⊖ All PTO drive shafts supplied on Falcon implements are accompanied by a product handbook (IM-03-2008) describing all aspects of installation, operation, maintenance and safety with respect to the PTO driveshaft. The document constitutes part of this manual and will be found attached to the PTO driveshaft supplied with each new Falcon implement.

Lubrication

Confirm that the PTO shaft, secondary chain drive and all bearing units are properly lubricated prior to use of the implement.

- ✔ Remove the protective cover (Fig. 3-A) to expose the chain drive mechanism.
- ✔ Using a grease gun, apply grease to the input shaft and main shaft bearing units (Fig. 3-B/C)

Instalering van die kragtakkeras

- ⚠ Verseker behoorlike inskakeling tussen die kragtakkeraskoppelstukke en die inset- en leweringssasse aan die implement en trekker.
- ⚠ Verseker voldoende oorvleueling van die kragtakkerasbuise in die werksposisie.
- ⚠ Hou by die gespesifiseerde kragtakkerasspoed.
- ⚠ Moenie die implement bedryf sonder die kragtakkerasskerms in posisie en in goeie toestand nie. Teendraaikettings moet aangeheg wees.
- ⚠ Vervang beskadigde of vermiste kragtakkerasskerm-onderdele slegs met oorspronklike onderdele.
- ⚠ Moenie die draaiende kragtakkeras benader nie, en vermy lospassende klere om verstremeling te verhoed.

Vanweë die talle variasies in trekker-en-implementhaakkonfigurasies sal die kragtakkeras wat verskaf is, waarskynlik verkort moet word om by die bedryfsafstand tussen die trekker en die implement te pas.

- ✔ Verwys eers na die vervaardiger se instruksies wat saam met die kragtakkeras voorsien is voordat die kragtakkeras tot die gepaste lengte gesny word.
- ✔ Verseker dat kruiskoppelingwerkshoeke nie oorskry word nie en dat oorkompressie of oorverlenging van die kragtakkeras verhoed word wanneer gedraai word.
- ⊖ Alle kragtakkerasse wat saam met Falcon-implemente verskaf word, word vergesel van 'n produkhandleiding (IM-03-2008) wat alle aspekte van installering, bedryf, instandhouding en veiligheid m.b.t. die kragtakkeras beskryf. Dit vorm deel van hierdie handleiding en sal aan elke kragtakkeras van elke nuwe Falcon-implement gevind word.

Smering

Bevestig dat die kragtakkeras, sekondêre kettingaandrywing en alle koeëllaereenheede behoorlik geghries is voordat die implement gebruik word.

- ✔ Verwyder die beskermende skermplaat (Fig. 3-A) om die kettingaandrywingsmeganisme bloot te stel.
- ✔ Gebruik 'n ghriesspuit om die insetas- en hoofskoeëllaereenheede te ghries (Fig. 3-B/C).

- ✔ Similarly, apply grease to the drive chain and the main shaft bearing unit (Fig. 4-A) located at the rear of the implement.

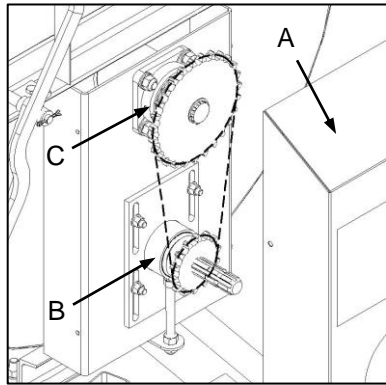


Fig. 3

- ✔ Ghries eweneens die dryfketting en hoofskoeëllaereenheid (Fig. 4-A) aan die agterkant van die implement.

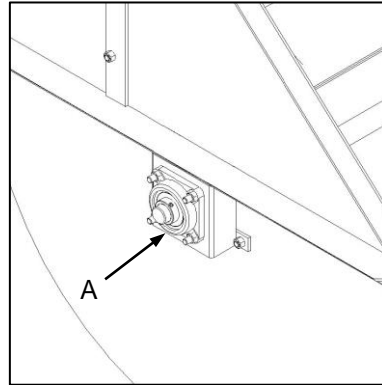


Fig. 4

Ensure that the main PTO driveshaft and intermediate shafts are properly lubricated prior to use of the implement.

Verseker dat die hoofkragtakkeras en tussenasse behoorlik gegries is voor gebruik van die implement.

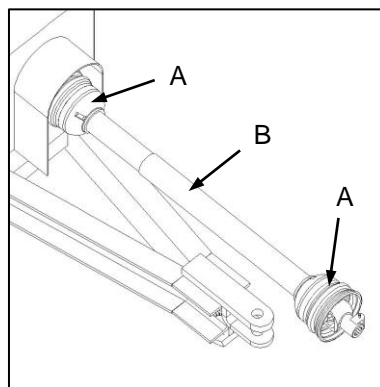


Fig. 5

- ✔ Apply grease to the universal joints (Fig. 5-A) and telescopic tubes (Fig. 5-B) of the PTO shaft.

- ✔ Ghries die kruiskoppelings (Fig. 5-A) en teleskopiese buise (Fig. 5-B) van die kragtakkeras.

- ⊖ For additional information, refer to the PTO manufacturer's handbook supplied with the implement.

- ⊖ Verwys vir verdere inligting na die kragtakkeras se vervaardigershandboek wat saam met die implement voorsien is.

OPERATION

BEDRYF

General

It is the responsibility of the owner to ensure that the operation of an agricultural tractor and any attached equipment is carried out in accordance with all applicable laws, regulations and practices relating to safe and responsible operation.

- ⊖ Applicable regulations should include, but not be limited to, the South African Occupational Health and Safety Act No. 83 of 1993 and the South African National Road Traffic Act No. 93 of 1996.
- ⊖ Refer also to operational information relevant to the tractor concerned, including handbooks, operator manuals, safety and warning notices and decals.

Preparation for use

- ⚠ Only suitably trained persons should operate the implement and no person should operate the implement without first studying and establishing a complete understanding of the content of this manual.

The implement must be thoroughly inspected and prepared before each use and with reference to procedures described elsewhere in this manual.

1. Attaching the implement to the tractor.
2. Installing the PTO driveshaft.
3. Settings and adjustment.
4. Lubrication and oil levels.
5. Routine maintenance (before and after each use).

Inspect the work area.

- ✔ Remove any movable obstructions from the work area, especially any object which may cause damage to the implement, including sharp objects likely to cause tyre punctures.
- ✔ Note the presence of ditches, holes, stumps, stones, rocks, or any other obstruction that might destabilise the tractor or cause damage to the implement. Remove these obstacles where possible, otherwise note and avoid these areas during spreading.

Operating the implement

- ⚠ Never approach or allow any person to approach the implement unless the tractor engine is shut off, the handbrake applied and the implement has come to a complete stop.
- ⚠ Actively discourage spectators and cease operation of the implement if any person approaches or enters the work area.

Algemeen

Dit is die verantwoordelikheid van die eienaar om te verseker dat die bedryf van 'n landboutrekker en enige gekoppelde toerusting uitgevoer word in ooreenstemming met alle toepaslike wette, regulasies en praktyke wat met veilige en verantwoordelike bediening te doen het.

- ⊖ Toepaslike regulasies sluit in, maar is nie beperk nie tot, die Suid-Afrikaanse Wet op Beroepsgesondheid en Veiligheid nr. 85 van 1993 en die Suid-Afrikaanse Wet op Nasionale Padverkeer nr. 93 van 1996.
- ⊖ Verwys ook na tersaaklike bedryfsinligting oor die betrokke trekker, insluitend handboeke, operateurs-handleidings, en veiligheid- en waarskuwingskennisgewings en -plakkers.

Voorbereiding vir gebruik

- ⚠ Slegs toepaslik opgeleide persone moet die implement bedryf, en geen persoon moet dit bedryf sonder om eers die inhoud van hierdie handleiding te bestudeer en 'n volledige begrip daarvan te verkry nie.

Die implement moet telkens eers deeglik geïnspekteer en voorberei word voor dit gebruik word, en met verwysing na prosedures wat elders in hierdie handleiding beskryf word.

1. Koppeling van die implement aan die trekker.
2. Installering van die kragaftakkeras.
3. Instellings en verstellings.
4. Smering en olievlakke.
5. Roetine-instandhouding (voor en na elke gebruik).

Inspekteer die werksgebied.

- ✔ Verwyder enige los obstrukties van die werksgebied, veral enige voorwerp wat skade aan die implement kan aanrig, insluitend skerp voorwerpe wat bandlekke kan veroorsaak.
- ✔ Let op enige dongas, gate, stompe, klippe, rotse of enige ander obstruksie wat die trekker mag destabiliseer of die implement kan beskadig. Verwyder hierdie hindernisse waar moontlik, of anders moet hierdie gebiede gedurende sny strooiing vermy word.

Bedryf van die implement

- ⚠ Moet nooit na die implement beweeg, of toelaat dat enigiemand anders dit doen, tensy die trekkerenjin afgeskakel is, die handrem opgetrek is en die implement heeltemal tot stilstand gekom het nie.
- ⚠ Toeskouers moet aktief ontmoedig word en bedryf van die implement moet onmiddellik gestaak word as enige persoon die werksgebied benader of dit betree.

- ⚠ Be sure to operate the implement only at the specified PTO input speed.
- ⚠ Do not approach the rotating PTO shaft and avoid loose-fitting clothing to prevent entanglement.
- ⊖ Failure to operate the implement at the specified PTO shaft speed can result in unsafe operating conditions as well as structural and mechanical failure not covered under warranty.

The filling process

In most instances the implement will be filled using some form of bulk material handling process, typically discharged from an overhead position, e.g. a front-end loader or chute.

A retractable loading flap provides easier overhead filling access to the load bin.

- ✔ Raise the actuating lever (Fig. 1-A) to retract the flap (Fig. 1-B) during loading.
- ✔ The maximum product level should not extend higher than the underside of the main flail shaft (Fig. 2-H).

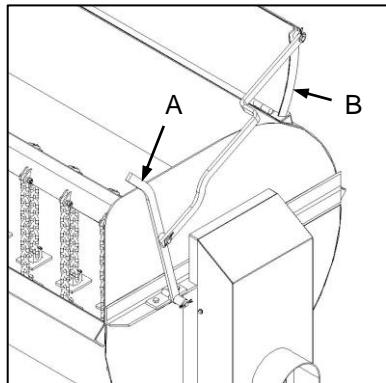


Fig. 1

- ⊖ The loading flap **MUST** be lowered during operation to provide acceptable product trajectory during discharge.

The spreading process

The following procedure is recommended for starting the spreading process and, in general, should be followed on each occasion that PTO input is engaged after filling the implement.

- ✔ Before filling, slowly rotate the main flail shaft (at idling speed) in order for the flail chains to wrap around the shaft, such that the majority of flail plates will be free of the surface of the product (Fig. 3). (This will limit excessive start-up torque in the case of heavy products with high solids content.)
- ✔ Select an appropriate forward speed and engage PTO input to commence spreading. (Note that the flail chains will gradually unwind from the shaft by

- ⚠ Verseker dat die implement slegs teen die gespesifiseerde kragaftakkerinsetspoed bedryf word.
- ⚠ Bly weg van die draaiende kragaftakkeras en verhoed verstremeling deur lospassende klere te vermy.
- ⊖ Versuim om die implement teen die neergelegde kragaftakkeraspoed te bedryf kan tot onveilige bedryfstoestande lei, asook strukturele en meganiese onklaaraking wat nie deur die waarborg gedek word nie.

Die vulproses

In die meeste gevalle sal die implement gevul word met gebruik van een of ander massahanteringsproses en tipies van bo, soos met 'n voorlaaier of geut.

'n Intrekbare laaiflap bied eenvoudiger opvultoeegang tot die laaibak van bo.

- ✔ Lig die werkhefboom (Fig. 1-A) om die flap tydens opvulling in te trek (Fig. 1-B).
- ✔ Die maksimumproduktvlak moet nie hoër as die onderkant van die hoofvleëlas wees nie (Fig. 2-H).

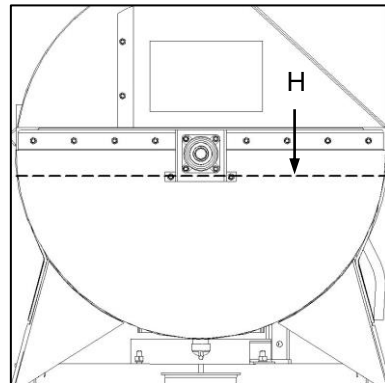


Fig. 2

- ⊖ Die laaiflap **MOET** tydens strooiing laat sak word om vir aanvaarbare produktrajek tydens afvoer voorsiening te maak.

Die strooiproses

Die volgende prosedure word aanbeveel om die strooi-proses te begin en moet, in die algemeen, telkens gevolg word wanneer die kragaftakker ná opvulling van die implement ingeskakel word.

- ✔ Voor opvulling begin, draai die hoofvleëlas stadig (teen luierspoed) sodat die vleëlkettings om die as draai, op so 'n wyse dat die meeste van die vleëlplate vry sal wees van die oppervlak van die produk (Fig. 3). (Dit sal oormatige aansitwringkrag beperk in die geval van swaar produkte met hoë soliedestofinhoud.)
- ✔ Kies 'n gepaste vorentoespoed en skakel die kragaftakker in om met strooiing te begin. (Let daarop dat die vleëlkettings geleidelik deur sentrifugale krag

centrifugal action, and in response to the gradual lowering of the product level within the implement bin.)

van die as sal losdraai, en namate die produkvlak in die vulbak geleidelik sak.)

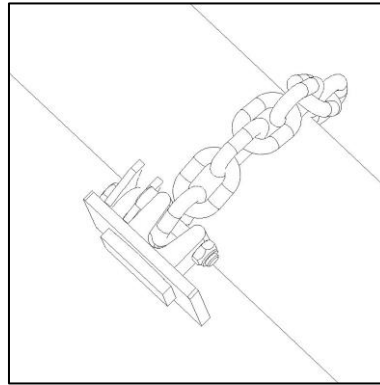


Fig. 3

- ⊖ Unless otherwise indicated, the specified implement PTO input speed should be 540 r/min.

- ⊖ Tensy anders vermeld, moet die gespesifiseerde implement-kragaftakkerinsetspoed 540 r/min wees.

Transportation and storage

The implement is intended to be trailed between worksites.

- ✔ When trailing the implement on tarmac and other abrasive surfaces, ensure that the implement tyres are properly inflated.
- ✔ Refer to the tyre sidewall markings for the tyre manufacturer's recommendations in this respect.

The implement should be properly prepared for long-term storage.

- ✔ Thoroughly clean and rinse the interior of the implement bin. (See elsewhere in this manual – MAINTENANCE.)
- ✔ Lubricate all prescribed areas. (See elsewhere in this manual – MAINTENANCE.)
- ✔ Place the implement on axle stands to prevent tyre deterioration while standing.

Vervoer en berging

Die implement is ontwerp om tussen werksterreine gesleep te word.

- ✔ Wanneer die implement op teer en ander ruwe oppervlakke gesleep word, verseker dat die implement se bande behoorlik styfgepomp is.
- ✔ Verwys na die merke op die buitebandwande vir die bandvervaardiger se aanbevelings in hierdie opsig.

Die implement moet behoorlik voorberei word vir langtermynberging.

- ✔ Die binnekant van die vulbak moet deeglik skoon-gemaak en uitgespoel word. (Kyk elders in hierdie handleiding – INSTANDHOUDING.)
- ✔ Ghries alle voorgeskrewe punte. (Kyk elders in hierdie handleiding – INSTANDHOUDING.)
- ✔ Plaas die implement op asblokke om buiteband-agteruitgang tydens staantyd te verhoed.

MAINTENANCE

Routine maintenance

- ⚠ Do not perform maintenance or any other work on the implement unless the tractor engine has been shut off, the handbrake applied and the key removed from the ignition.
- ⚠ Do not perform maintenance or any other work on the implement while it is suspended only on the tractor hitch, or without suitable additional support for the implement.
- ⚠ Use only original and approved Falcon replacement parts and lubricants. Refer to the parts information provided in this manual.

Maintenance should be carried out before and after each use and in accordance with the schedules provided in this chapter.

- ⊖ Bolted connections should be checked for tightness with reference to Bolt Torque Specifications (Table 1).

> BEFORE each use

To be carried out at least daily in periods of continuous use. Otherwise before each occasion that the implement is used. Extra care and attention should be given to implements which may have been unused for prolonged periods (longer than 1 month).

- ✔ Check all fasteners for tightness. This includes special attention to safety-critical fasteners such as flail chain mountings, flails and locking plates (Fig. 1-A/B/C).
- ✔ Inspect flail chains for indications of wear and replace as necessary. Where replacement is carried out, replace all flail chains and fasteners simultaneously, to prevent any possibility of imbalance.
- ✔ Ensure that all guards, shields and other safety devices are in place, properly secured and in good condition.

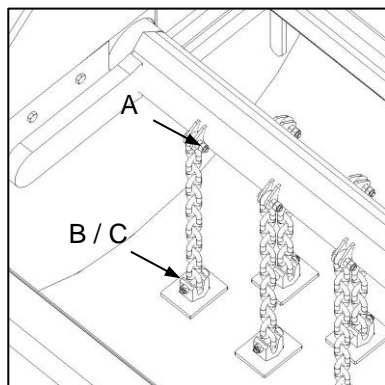


Fig. 1

- ✔ Inspect all mounting pins, chains, shackles and other load-bearing components for signs of wear. Check that all secondary securing mechanisms such as linchpins, split-pins and clips are in place.

INSTANDHOUDING

Roetine-instandhouding

- ⚠ Moenie instandhouding- of enige ander werk aan die implement doen tensy die trekkerenjin afgeskakel, die handrem opgetrek en die sleutel uit die aansitter verwyder is nie.
- ⚠ Moenie instandhouding- of enige ander werk aan die implement doen terwyl dit net aan die trekker se haak hang, of sonder geskikte ekstra stutte vir die implement nie.
- ⚠ Gebruik slegs oorspronklike en goedgekeurde Falcon- vervangingsonderdele en smeermiddels. Verwys na die onderdeele-inligting in hierdie handleiding.

Instandhouding moet telkens voor en na gebruik gedoen word, en in ooreenstemming met die skedules wat in hierdie hoofstuk vervat is.

- ⊖ Verseker dat koppelboute in ooreenstemming met die boutwringkragspesifikasiekaart vas is (Tabel 1).

> VOOR elke gebruik

Moet minstens daaglik uitgevoer word in tye van aanhoudende gebruik, of anders elke keer voor die implement gebruik word. Gee ekstra sorg en aandag aan implemente wat dalk vir lang tydperke (meer as 'n maand) nie gebruik is nie.

- ✔ Verseker dat alle hegstukke vas is. Gee spesiale aandag aan veiligheidskritieke hegstukke soos vleëlketting-monterings, vleëls en sluitplate in (Fig. 1-A/B/C).
- ✔ Gaan vleëlkettings na vir tekens van slytasie en vervang waar nodig. Waar vervanging uitgevoer word, vervang alle vleëlkettings en hegstukke saam, ten einde enige moontlikheid van wanbalans te voorkom.
- ✔ Verseker dat alle skutplate, skerms en ander veiligheidstoestelle in posisie, behoorlik vas en in 'n goeie toestand is.

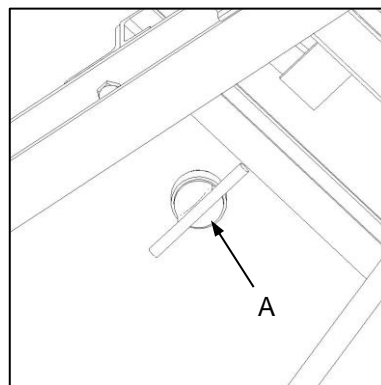


Fig. 2

- ✔ Gaan alle monterpenne, kettings, penskakels en ander lasdraende komponente na vir tekens van slytasie. Verseker dat alle sekondêre hegmeganismes soos lunspenne, splitpenne en knippe in posisie is.

- ✔ Run the implement up to operating speed and conduct visual and audible checks for excessive vibration and noise.
- ⊖ Causes of excessive vibration and noise must be identified and eliminated immediately to prevent consequential structural or mechanical failure not covered under warranty.

➤ AFTER each use

To be carried out at least every 40 hours in periods of continuous use. Otherwise after each occasion that the implement is used, or before long-term storage (longer than 1 month).

- ✔ Clean all debris from the implement, particularly inside surfaces of the load bin. Where pressurised cleaning is undertaken, care must be taken in areas around seals, breathers, lubrication points and PTO driveshaft components.
- ✔ Remove the drain plug (Fig. 2-A) and thoroughly rinse the implement with fresh water to remove any corrosive product residues.
- ✔ Thoroughly inspect the implement for any signs of damage incurred during use. Note these for attention and repair before the next use.
- ✔ Ensure that all safety and warning decals are in place and in a legible condition.
- ✔ Before long-term storage (longer than 1 month), check oil levels and thoroughly lubricate all specified lubrication points.
- ✔ Store the implement in a clean, dry, weather-protected area.

Chain drive tension

Final drive transmission on these implements is accomplished by means of a chain drive mechanism. This mechanism must be regularly and properly tensioned to ensure smooth operation and extended transmission life.

- ✔ Versnel die implement tot werkspoed en voer visuele en gehoorinspeksies uit vir oormatige vibrasie en geraas.
- ⊖ Oorsake van oormatige vibrasie en geraas moet geïdentifiseer en onmiddellik uitgeskakel word om gevolglike strukturele of meganiese onklaarraking te verhoed wat nie deur die waarborg gedek word nie.

➤ NA elke gebruik

Moet minstens elke 40 uur in tye van aanhoudende gebruik uitgevoer word, of anders elke keer nadat die implement gebruik is, of voor langtermynberging (meer as 'n maand).

- ✔ Verwyder alle vuiligheid van die implement, veral van die oppervlakke binne-in die laaibak. Waar drukskoonmaak aangewend word, wees veral versigtig rondom seëls, luggate, ghriespunte en kragaftakkeras-komponente
- ✔ Verwyder die aftapprop (Fig. 2-A) en spoel die implement deeglik uit met vars water om enige korroderende produkreste te verwyder.
- ✔ Gaan die implement deeglik na vir enige tekens van moontlike skade tydens gebruik. Merk dit aan vir aandag en herstel voor die volgende gebruik.
- ✔ Verseker dat alle veiligheid- en waarskuwingsplakkers in posisie en in leesbare toestand is.
- ✔ Voor langtermynberging (langer as 'n maand) moet olievlakke nagegaan en alle gespesifiseerde ghriespunte deeglik gehries word.
- ✔ Berg die implement in 'n skoon, droë, weerbestande plek.

Kettingdryfasspanning

Eindaandrywingstransmissie aan hierdie implemente vind d.m.v. 'n kettingaandrywingsmeganisme plaas. Hierdie meganisme moet gereeld en behoorlik gespan word om gladde werking en 'n lang transmissielewe te verseker.

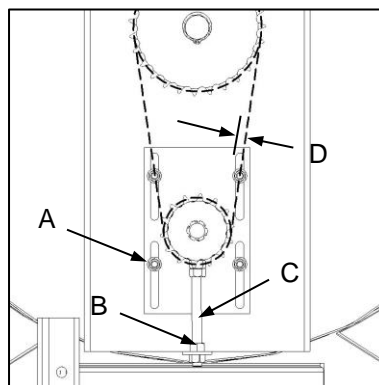


Fig. 3

Chain tension is checked and adjusted manually, after the chain drive safety cover has been removed.

- ✔ Loosen the 4 mounting bolts of the input bearing (Fig. 3-A) and chain tensioner locknut (Fig. 3-B).

Kettingspanning word met die hand getoets en verstel na verwydering van die kettingaandrywingsveiligheidsdekstuk.

- ✔ Draai die 4 boute van die insetkoeëllaareenheid (Fig. 3-A) en kettingspannersluitbout (Fig. 3-B) los.

- ✔ Use the tensioner bolt (Fig. 3-C) to adjust the chain tension.
- ✔ Approximately 5 mm of total free play should be evident when examined at the mid-point of the slack side of the drive chain (Fig. 3-D).

- ✔ Gebruik die spannerbout (Fig. 3-C) om die kettingspanning te verstel.
- ✔ Ongeveer 5 mm totale speling moet by die middelpunt van die slap deel van die aandrywingsketting waargeneem kan word (Fig. 3-D).

Table/Tabel 1

Bolt Torque Specifications (N.m) / Boutwringkragspesifikasies (N.m)

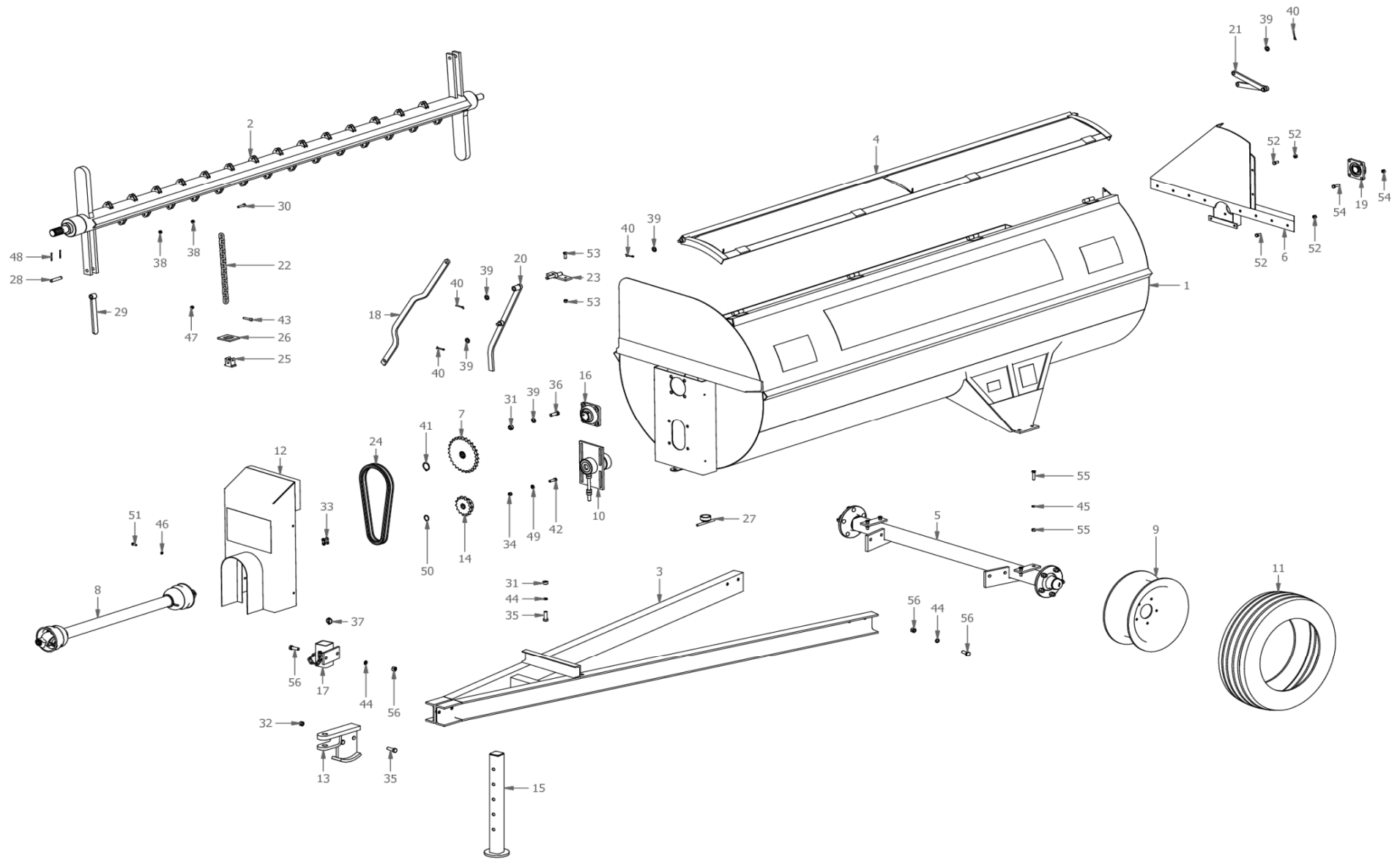
Class/Klas	4.6		8.8		10.9		12.9	
	Wet/Nat	Dry/Droog	Wet/Nat	Dry/Droog	Wet/Nat	Dry/Droog	Wet/Nat	Dry/Droog
M6	4,8	6	9	11	13	17	15	19
M8	12	15	22	28	32	40	37	47
M10	23	29	43	55	63	80	75	95
M12	40	50	75	95	110	140	130	165
M14	63	80	120	150	175	225	205	260
M16	100	125	190	240	275	350	320	400
M18	135	175	260	330	375	475	440	560
M20	190	240	375	475	530	675	625	800
M22	260	330	510	650	725	925	850	1 075
M24	330	425	650	825	925	1 150	1 075	1 350
M27	490	625	950	1 200	1 350	1 700	1 600	2 000
M30	675	850	1 300	1 650	1 850	2 300	2 150	2 700
M33	800	1 150	1 750	2 200	2 500	3 150	2 900	3 700
M36	1 150	1 450	2 250	2 850	3 200	4 050	3 750	4 750

Table/Tabel 2

Lubrication Requirements/Smeringvereistes

Application/Toepassing		Type/Tipe	Process/Proses	Interval	Products/Produkte
Gearboxes Ratkaste	Bevel gearboxes Keëlratkaste	Oiled/Geolie	Replace/Vervang	12 m	Gear oil, Fuchs, Renep 1000 Ratkasolie, Fuchs, Renep 1000
			Check/Gaan na	1 d	
	Splitter gearboxes Verdeelratkaste	Oiled/Geolie	Replace/Vervang	12 m	
			Check/Gaan na	1 d	
PTO driveshafts Kragaftakkerasse	UV-joints Kruiskoppelings	Greased/Geghries	Refresh/Vul aan	10 h/u	Grease, Universal, Moly #2 Ghries, Algemeen, Moly #2
	CV-joints KS-koppelings	Greased/Geghries	Refresh/Vul aan	10 h/u	
	Telescopic tubes Teleskopiese buise	Greased/Geghries	Refresh/Vul aan	20 h/u	
Auxiliary drives Hulpaandrywings	Intermediate shafts Tussenasse	Greased/Geghries	Refresh/Vul aan	10 h/u	Grease, Fuchs, HT Lithium M2 Ghries, Fuchs, HT Lithium M2
	Spindles Spille	Greased/Geghries	Replace/Vervang	12 m	
			Refresh/Vul aan	10 h/u	
	Bearing housings Koeëllaeromhulsels	Greased/Geghries	Replace/Vervang	3 m	
Refresh/Vul aan			10 h/u		
Bearing units Koeëllaereenhede	Greased/Geghries	Refresh/Vul aan	20 h/u		
Wheels Wiele	Wheel bearings Wielkoeëllaers	Greased/Geghries	Refresh/Vul aan	1 w	Grease, Universal, Moly #2 Ghries, Algemeen, Moly #2
Pivot points Spilpunte	Pins and bushes Penne en busse	Greased/Geghries	Refresh/Vul aan	10 h/u	Machine oil, Universal Masjienolie, Algemeen
		Oiled/Geolie	Refresh/Vul aan	10 h/u	
	Ball joints Koeëlgewrigte	Greased/Geghries	Refresh/Vul aan	10 h/u	Grease, Universal, Moly #2 Ghries, Algemeen, Moly #2
Oiled/Geolie			Refresh/Vul aan	10 h/u	Machine oil, Universal Masjienolie, Algemeen
Adjusters/Levers Verstellers/Hefbome	Threaded rods/ Leadscrews Skroefdraadstawe/ Leiskroewe	Greased/Geghries	Refresh/Vul aan	20 h/u	Grease, Universal, Moly #2 Ghries, Algemeen, Moly #2
			Oiled/Geolie	Refresh/Vul aan	20 h/u

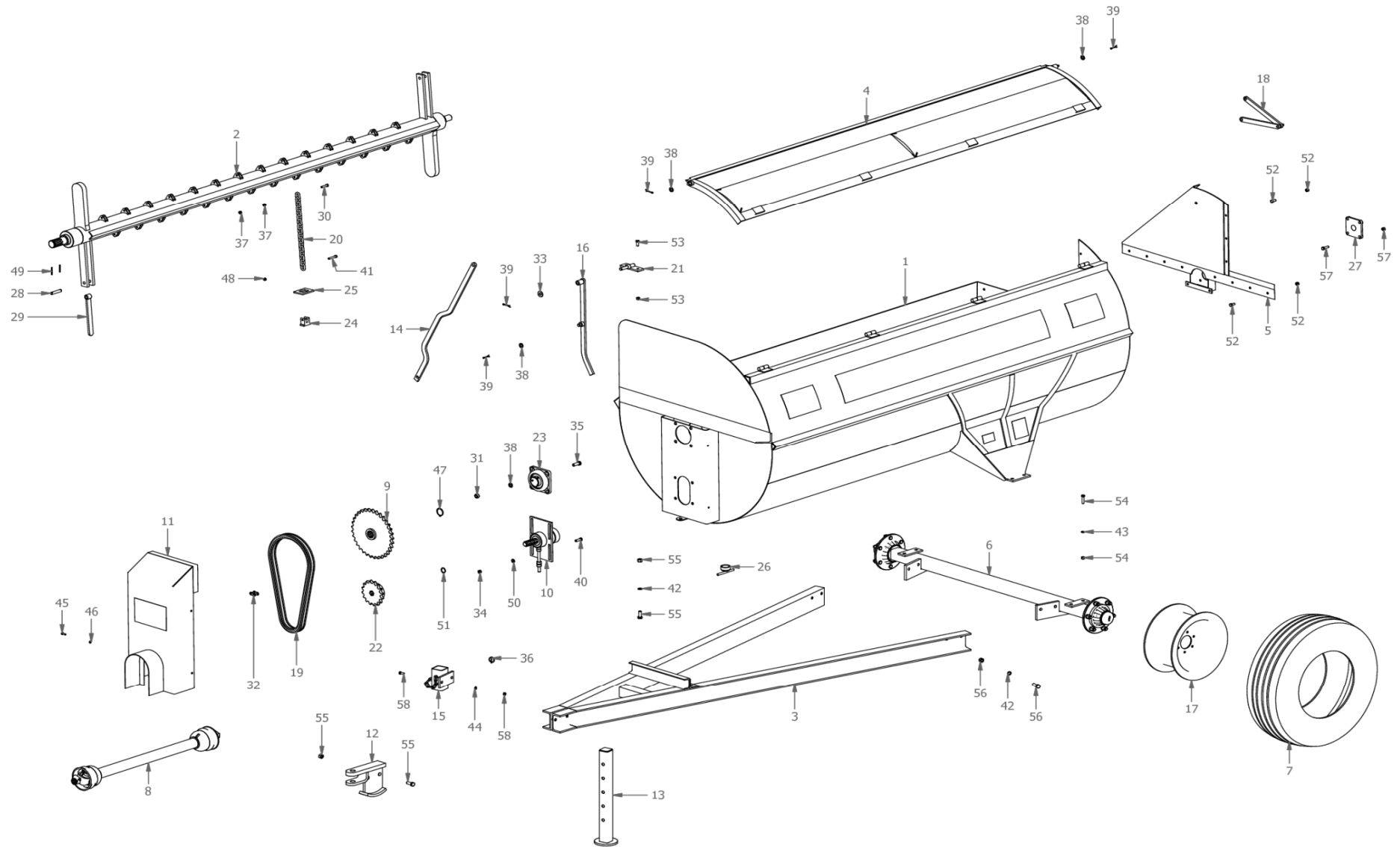
F3000 Rotorspreader
A0061



**F3000 Rotorspreader
A0061**

Item	Part No.	Description	Qty	Item	Part No.	Description	Qty
1	H3300	Painted Hull F4200 Rotorspreader	1	41	M3325	Circlip External 41.5mm	1
2	H3311	Rotor F3000 RS Rotorspreader	1	42	M41240	Bolt M12x40 HT Galv	4
3	H3342	Chassis Frame F3000RS	1	43	M3414	Cap screw 10x55mm	28
4	H3308	Lid F4200RS	1	44	M91604	Washer Spring M16 Galv	10
5	M3346	Axle Assy 55mm (3000 R/Spreader)	1	45	M91213	Washer Spring M12 Galv	4
6	H3301	Corner Plate F3000RS	1	46	M80803	Washer Flat M8 Galv	4
7	H3319	Sprocket Top 27 Tooth F3000RS	1	47	M61007	Nut Nyloc M10 Galv	28
8	T601010CE112112	PTO shaft B6 1.2m + Clutch FF2	1	48	M70550	Selok Pin 5x50mm	4
9	M3345	Rim 5 Stud 16" Black F3000 Rotorspreader	2	49	M81202	Washer Flat M12 Galv	4
10	H3430	Bearing Assy Botom Rotorspreader	1	50	M3436	Circlip External 32mm	1
11	M3343	Tyre 7.50x16x8 Ply (Rotaspreader 3000)	2	51	M10825	Bolt M8x25 + Nut Galv	8
12	H3317	Chain & PTO Guard F3000RS	1	52	M11225	Bolt M12x25 + Nut Galv	24
13	H3425	Clevis Hitch (Std)	1	53	M11230	Bolt M12x30 + Nut Galv	4
14	H3323	Sprocket Bottom 14 Tooth	1	54	M11240	Bolt M12x40 + Nut Galv	8
15	H3427	Pin, Jack Stand Rotorspreader	1	55	M11250	Bolt M12x50 + Nut Galv	8
16	M3318	Bearing UCF 209/28	1	56	M11645	Bolt M16x45 + Nut Galv	12
17	H3428	Jack Stand Rotorspreader	1	57	M3168	Decal Bird FALCON Large	2
18	H3351	Lid Operating Lever R/Spreader	1	58	M3159	Decal F3000 Rotaspreader	1
19	M3302	Bearing UCF 207/22	1	59	M3176	Decal Brid FALCON Meduim	2
20	H3316	Lid Lever Link F3000RS	1	60	M3003	Serial plate Metal FALCON	1
21	H3307	Lid Rear Link Rod Assy F3000RS	1	61	M3175	Decal PROUD TO BE SOUTH AFRICAN	1
22	M3312	HT Chain (1 Length 14 Link)	28				
23	H3441	Lid Lever Hinge Pin R/Spreader	1				
24	M3321	Drive Chain 1" 25 Link F3000RS	1				
25	H3413	Flail Head for RS Chain	28				
26	H3415	Flail Plate (Fits under Head)	28				
27	H1382	Cap Hull	1				
28	H3306	Pin for End Flail R/Spreader	2				
29	H3305	End Flail F4200RS	2				
30	M41045	Bolt M10x45 HT Galv	28				
31	M31612	Nut M16 Galv	6				
32	M61616	Nut Nyloc M16 Galv	2				
33	M3322	Master Link 1" F3000RS	1				
34	M31209	Nut M12 Galv	4				
35	M41650	Bolt M16x50 HT Galv	4				
36	M41645	Bolt M16x45 HT Galv	4				
37	FLP4	Lynchpin 4mm	1				
38	M31007	Nut M10 Galv	56				
39	M81602	Washer Flat M16x40x2	8				
40	M1416	Split pin B5x60	4				

F4200 Rotorspreader
A0062



**F4200 Rotorspreader
A0062**

Item	Part No.	Description	Qty	Item	Part No.	Description	Qty
1	H3400	Painted Hull F4200 Rotorspreader	1	41	M3414	Cap screw 10x55mm	28
2	H3411	Rotor F4200 RS Rotorspreader	1	42	M91604	Washer Spring M16 Galv	6
3	H3442	Chassis Frame F4200RS	1	43	M91213	Washer Spring M12 Galv	4
4	H3408	Lid F4200RS	1	44	M81002	Washer Flat M10 Galv	2
5	H3401	Rotorspreader Rear Fixture	1	45	M10825	Bolt M8x25 + Nut Galv	4
6	M3446	Axle Assy 70mmx1.8M (4.2 Rotaspreader)	1	46	M80803	Washer Flat M8 Galv	4
7	M3443	Tyre 9.00x16x 10 Ply (Rotaspreader 4200)	2	47	M3418	Circlip External 48mm	1
8	T601010CE112112	PTO shaft B6 1.2m + Clutch FF2	1	48	M61007	Nut Nyloc M10 Galv	28
9	H3419	Sprocket Top 33 Tooth F4200RS	1	49	M70550	Selok Pin 5x50mm	4
10	H3430	Bearing Assy Botom Rotorspreader	1	50	M81202	Washer Flat M12 Galv	4
11	H3417	Chain & PTO Guard F4200RS	1	51	M3436	Circlip External 32mm	1
12	H3425	Clevis Hitch (Std)	1	52	M11225	Bolt M12x25 + Nut Galv	26
13	H3427	Pin, Jack Stand Rotorspreader	1	53	M11230	Bolt M12x30 + Nut Galv	4
14	H3440	Lid Operating Lever R/Spreader	1	54	M11250	Bolt M12x50 + Nut Galv	8
15	H3428	Jack Stand Rotorspreader	1	55	M11640	Bolt + Nut M16x40 HT Galv	8
16	H3416	Lid Lever Link F4200RS	1	56	M11645	Bolt M16x45 + Nut Galv	8
17	M3445	Rims 6 Stud 16" (4200 Rotaspreader)	2	57	M11240	Bolt M12x40 + Nut Galv	8
18	H3407	Lid Rear Link Rod Assy F4200RS	1	58	M11025	Bolt + Nut M10x25 HT Galv	4
19	M3421	Drive Chain 1 1/4" F4200 RS	1	59	M3160	Decal F4200 Rotaspreader	1
20	M3412	HT Chain (1 Length 17 Link)	28	60	M3176	Decal Brid FALCON Meduim	3
21	H3441	Lid Lever Hinge Pin R/Spreader	1	61	M3168	Decal Bird FALCON Large	1
22	H3423	Sprocket Bottom 16 Tooth	1	62	M3003	Serial plate Metal FALCON	1
23	M3429	Bearing UCF 211/32	1	63	M3175	Decal PROUD TO BE SOUTH AFRICAN	1
24	H3413	Flail Head for RS Chain	28				
25	H3415	Flail Plate (Fits under Head)	28				
26	H1382	Cap Hull	1				
27	M3403	Bearing UCF 208/24	1				
28	H3406	Pin for End Flail R/Spreader	2				
29	H3405	End Flail F4200RS	2				
30	M41045	Bolt M10x45 HT Galv	28				
31	M31612	Nut M16 Galv	4				
32	M3422	Master Link 1 1/4" F4200 RS	1				
33	M81603	Washer M16x40x3 Galv	1				
34	M31209	Nut M12 Galv	4				
35	M41645	Bolt M16x45 HT Galv	4				
36	FLP4	Lynchpin 4mm	1				
37	M31007	Nut M10 Galv	56				
38	M81602	Washer Flat M16x40x2	7				
39	M1416	Split pin B5x60	4				
40	M41240	Bolt M12x40 HT Galv	4				