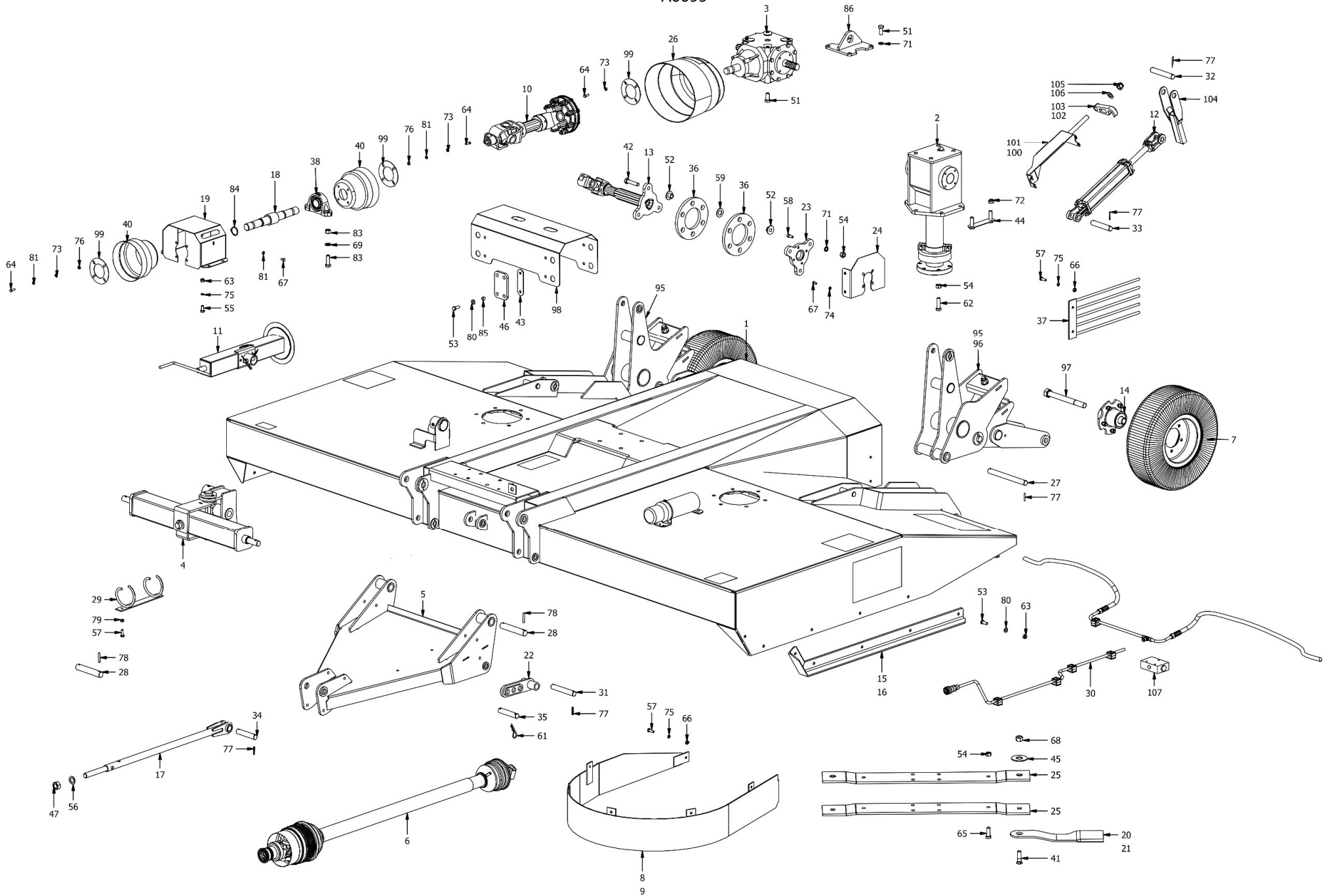


F60-350VT Haymaker  
A0099



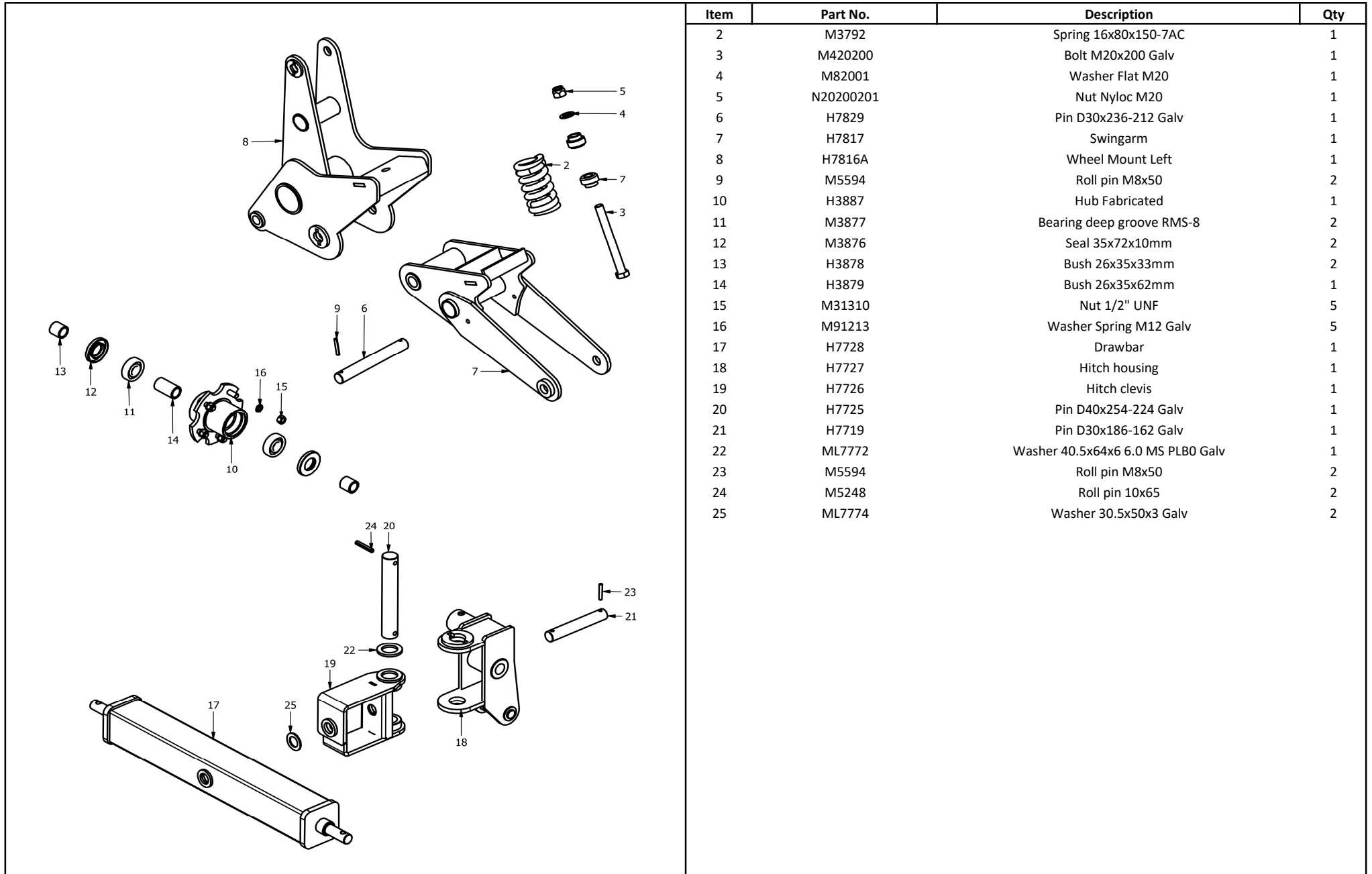
**F60-350VT Haymaker  
A0099**

Item	Part No.	Description	Qty	Item	Part No.	Description	Qty
1	H7700A	Hull Painted A0099	1	41	M51963	Blade bolt 3/4UNCx2-1/2 CSK-10.9 Black	4
2	H2630	Gearbox F60XF 1:1.35 Falcon	2	42	M41675	Bolt M16x75 HT Galv	12
3	T279A-927901600	Gearbox Comer T279A 1:1.35	1	43	H5343	Nut set M12-2 Galv	8
4	H7701	Hitch Linkage drawbar Cat2	1	44	H2614	Ganged bolts M16Fx50 Galv	6
5	H5433	Drawbar A0086	1	45	M83304	Washer 80x33x4 (Spacer)	4
6	78611210EN00204	PTO CV T60 1210 Comer EN2049	1	46	M5341	Damper Rubber	8
7	M3799	Wheel Laminated 21x6.00-5	2	47	M32418	Nut M24 Galv	2
8	H7708	Scroll Left A0099	1	48	M7781	Bracket Hyd manifold 3.0 MS PLB2 Galv	1
9	H7709	Scroll Right A0099	1	49	M42525	Nut 1.0in UNF Galv	2
10	T600352S112F22	Shaft Intermed Comer T60 0.352	1	50	Elbow 90deg	Elbow 90deg-Metric Tube 12	1
11	H0710	Parking jack 500mm Inc bush + pin	1	51	M41635	Bolt M16x35 HT Galv	8
12	H7711	Cylinder Hyd DB20010-106	2	52	H5328	Bush Stepped Galv	24
13	H7710	Shaft Intermed Comer	2	53	M41230	Bolt M12x30HT Galv	42
14	H3800A	Hub Assy 5-0.5in@D5.5in	2	54	M31612	Nut M16 Galv	24
15	H7704	Side protector Left	1	55	M41225	Bolt M12x25 HT Galv	4
16	H7705	Side protector Right	1	56	M82402	Washer M24 Galv	1
17	H5411	Tie-rod M24x1070	1	57	M41030	Bolt M10x30HT Galv	18
18	H0790	Shaft Intermediate T60 A0099	1	58	M3945	Cap Screw M10x25	9
19	H7729	Cover Bearings	1	59	ML5350	Washer 24.5x45x3.0 Galv	12
20	H1460 RH	BLADE 8x90x(425)-32.5 CC	2	60	M7426	Nut Ferrule 3/8 12mm	1
21	H1460	BLADE 8x90x(425)-32.5	2	61	M5235	R-clip 4mm	2
22	H7707	Height adjuster Drawbar Galv	2	62	M41655	Bolt M16x55 HT Galv	8
23	H5347	Profile 16.0 MS PLB0	2	63	M61209	Nut Nyloc M12 Galv	14
24	H5339	Bracket Galv	4	64	M40825	Bolt M8x25HT Galv	12
25	H1452	Blade beam 10x130x(945)-20SQ	4	65	M41645	Bolt M16x45 HT Galv	4
26	M5360	PTO Counter-cone Comer 190.000.535	1	66	M31007	Nut M10 Galv	16
27	H7715	Pin D25x261-243 Galv	2	67	M40815	Bolt M8x16HT Galv	10
28	H5422	Pin D30x167-143 Galv	3	68	M61921	Nut Nyloc 3/4"UNC CSK	4
29	H5580	Guide Hyd pipes 2-D100 Galv	1	69	M81602	Washer Flat M16x40x2	4
30	M7780	Kit Hydraulic Fixed A0099	1	70	M1416	Split pin B5x60	2
31	H7716	Pin D25x157-139 Galv	2	71	M91604	Washer Spring M16 Galv	16
32	H5418	Pin D25x151-133 Galv	2	72	M61616F	Nut Nyloc M16F Galv	12
33	H7714	Pin D25x131.5-113.5 Galv	2	73	M80803	Washer Flat M8 Galv	12
34	H5425	Pin D25x131-113 Galv	1	74	M90813	Washer Spring M8 Galv	8
35	H5423	Pin D25x125-107 Galv	2	75	M91002	Washer Spring M10 Galv	20
36	M5351	Diaphram M16-PCD165	4	76	M31008	Nut M8 Galv	8
37	H0869	Fingers 80-350V	2	77	M5593	Roll pin M6x40	19
38	M3504	Bearing UCP 208	2	78	M5594	Roll pin M8x50	6
39	M7431	Coupler hydraulic 1/2" BSP Female Pin	1	79	M61007	Nut Nyloc M10 Galv	2
40	M1141	PTO counter cone Comer	2	80	M81202	Washer Flat M12 Galv	42

**F60-350VT Haymaker  
A0099**

Item	Part No.	Description	Qty	Item	Part No.	Description	Qty
81	M90802	Washer Spring M8	10				
82	ISO 4034 - M14	Hex Nut	1				
83	M11650	Bolt & Nut M16 x 50 Galv	8				
84	M3845A	Circlip Outer 2x40mm	2				
85	H5345	Bush 12.5x15.8x11 Galv	32				
86	H5307	Lifting bracket Gearbox T279A	1				
87	M3003	Serial plate Metal FALCON	1				
88	M3175	Decal PROUD TO BE SOUTH AFRICAN	1				
89	M3171	Decal Baie Belangrik Alvorens U Die	1				
90	M3170	Decal VERY IMPORTANT BEFORE USING.....	1				
91	M3172	Decal DANGER STAY AWAY - ROTATING.....	2				
92	M3353	Decal 15km 100mm	2				
93	M3168	Decal Bird FALCON Large	3				
94	M8450	Owner Manual Holder	1				
95	H7832A	Wheel Assembly Right	1				
96	H7831A	Wheel Assembly Left	1				
97	M419250	Bolt 1"x10"UNF Galv HT	2				
98	ML10261	Cover Intermed shaft 2.0 MS PLB4	2				
99	ML5579	Plate 4-M8@PCD105 2.0 MS PLB0 Galv	3				
100	H7836	Bracket Cut height	1				
101	H7837	Bracket Cut height LH	1				
102	H7838	Spacer Cut height 25mm	5				
103	H7839	Spacer Cut height 25mm	5				
104	H7706	Cylinder lock Galv	2				
105	N20200201	Nut Nyloc M20	2				
106	M82001	Washer Flat M20	2				
107	M7432	Flow Divider 50/50	1				

**A0099 Wheel Carrier / Wheel Hub / Drawbar  
H7831A / H7832A / H3800A / H7701**



Item	Part No.	Description	Qty
2	M3792	Spring 16x80x150-7AC	1
3	M420200	Bolt M20x200 Galv	1
4	M82001	Washer Flat M20	1
5	N20200201	Nut Nyloc M20	1
6	H7829	Pin D30x236-212 Galv	1
7	H7817	Swingarm	1
8	H7816A	Wheel Mount Left	1
9	M5594	Roll pin M8x50	2
10	H3887	Hub Fabricated	1
11	M3877	Bearing deep groove RMS-8	2
12	M3876	Seal 35x72x10mm	2
13	H3878	Bush 26x35x33mm	2
14	H3879	Bush 26x35x62mm	1
15	M31310	Nut 1/2" UNF	5
16	M91213	Washer Spring M12 Galv	5
17	H7728	Drawbar	1
18	H7727	Hitch housing	1
19	H7726	Hitch clevis	1
20	H7725	Pin D40x254-224 Galv	1
21	H7719	Pin D30x186-162 Galv	1
22	ML7772	Washer 40.5x64x6 6.0 MS PLB0 Galv	1
23	M5594	Roll pin M8x50	2
24	M5248	Roll pin 10x65	2
25	ML7774	Washer 30.5x50x3 Galv	2

**Gearbox F60XF  
H2630**

Item	Part No.	Description	Qty
1	H2635	Housing Extended F60X	1
2	H2634	Shaft Output F60X	1
3	H2631	Shaft Input F60VF/XF	1
4	H2609	Gear Bevel Z27/z10	1
5	H2608	Gear Bevel Z20/z6	1
6	H2637	Dust cover F60X	1
7	M2624	Cover	1
8	M1333	Bearing Tapered roller 32009	2
9	M1371	Bearing Deep groove 6205	1
10	H1378	Retainer Domed	1
11	H2633	Washer 35x52x5	1
12	M41045	Bolt M10x45HT	2
13	M41025	Bolt M10x25HT	4
14	M1332	Bearing Tapered roller 32008	1
15	M1326	Seal Felt	1
16	M1334	Plug + Dipstick	1
17	M1375	Circlip Internal INT0750	1
18	M1374	Circlip Internal INT0680	1
19	M31007	Nut M10	2
20	M1319	Nut Slotted 1 UNF	1
21	M1369	Plug Welsh type 52x10	1
22	M1343	Washer 40x26x2	1
23	M1361	Seal Radial lip 68x40x8	1
24	M2617	Gasket F60	1
25	M2634	Locking nut KM7	1
26	M1416	Split pin B5x60	1
27	M1366	Seal Radial lip 75x55x8	2
28	M1372	Circlip Internal INT0520	1
29	M1365	Load washer Wave type EPL50	1
30	M1364	Load washer Wave type EPL44	1
31	M2635	Locking washer MB7	1
32	M1368	Seal protector	1
33	M3231	Gear oil Renolin CLP1000	A/R

A/R = As required